



REQUEST FOR PROPOSALS -
INSTALLATION OF WELDING VENTILATION SYSTEM
RFP# MATC 2018-0002

MANHATTAN AREA TECHNICAL COLLEGE
3136 Dickens Ave, Manhattan, KS 66503
SEPTEMBER 14, 2018

BACKGROUND

Manhattan Area Technical College (hereafter known as the “MATC” or “The College”) was established in 1965 as Manhattan Area Vocational – Technical School. Educational programs were initially offered on the campus of Manhattan High School. MATC's current campus, located at 3136 Dickens Avenue in Manhattan, Kansas, was occupied in 1967. Through the years, the increasing influence of advancing technology in business and industry, health and emergency services, and government has made strong technical skills a requirement in most professions. This evolution has made it popular to refer to vocational-technical training as, simply, technical education. In that spirit, the school was renamed in 1992 as Manhattan Area Technical Center. Legislation passed in 1994, Kansas Senate Bill 586, amended K.S.A. 72-4412 and provided the opportunity for technical schools to apply for conversion to technical colleges. In 1996, Governor Bill Graves signed into law Kansas House Bill 2606, which amended K.S.A. 72-4412, and designated the school as Manhattan Area Technical College. During its 2003 session, the Kansas Legislature passed Senate Bill 7, enabling technical colleges to move to autonomous governance, independent of the public school system. On March 17, 2004, the Kansas Board of Regents approved MATC's governance plan. On July 1, the long process of gaining autonomous governance came to fruition. MATC is a public technical college governed by an appointed Board of Directors, under a governance plan approved by the Kansas Board of Regents on March 17, 2004.

Manhattan Area Technical College is a public technical college governed by an appointed Board of Directors, under a governance plan approved by the Kansas Board of Regents on March 17, 2004. The President of the College reports to the Board of Directors and supervises all College operations and instruction. In addition, more than 120 volunteer program advisory board members and general advisory members, representing a cross section of business and industry, advise MATC.

Mission: Manhattan Area Technical College provides quality technical and general education to prepare individuals to pursue technologically advanced careers and lead productive lives in a dynamic and diverse global environment.

Vision: As a leader in technical education, Manhattan Area Technical College will enhance student-centered learning and service to business, industry, and community members.

Values: In making decisions to advance the mission of Manhattan Area Technical College, the faculty and staff value:

Integrity...being accountable for our actions

Student-centered instruction...addressing the needs of our students

Relevant program content...applying industry recommendations

Quality performance...striving for excellence

Since its establishment, Manhattan Area Technical College has served an area of Kansas that includes citizens and communities in fourteen (14) counties. MATC has provided, and continues to provide, advanced education and technical preparation to individuals who hail from communities all over Kansas, other states, and other countries. Lastly, MATC is accredited by The Higher Learning Commission.

PURPOSE:

The purpose of the REQUEST FOR PROPOSAL is to establish a contract for the installation of a Camfil Air Pollution Control system in the College's Welding lab.

SCOPE OF SERVICES

Work within this Request for Proposal (RFP) shall include the following:

Installation of the Camfil Air Pollution Control system.

Camfil Air Pollution Control – Gold Series Dust Collector system Information:

Manufacturer: Camfil
Date Manufactured: 10/19/2017
Gold Series Model: GS18
Serial Number: G79134001
Number of Filters: 18
Gold Cone Filter PN: 325325014
Application Data: Welding Air
Volume: 25,000 c.f.m.
Static Pressure: 9.00" w.g.
Air to Cloth Ratio: 4.27:1
Dust Type: Welding Fumes
Explosive Dust: No
Kst: N/A
Pmax: N/A
Weight: 6450 LBS
*configuration cheat sheet attached

Specifications:

- Installation and commission costs to install and verify legal and effective working performance of the Camfil system.
- All tools and equipment needed for installation are the responsibility of the Contractor.
- Identifying placement of the Camfil system. Note: the unit will need to be outside of the building due to space constraints. Groundwork is needed (i.e. concrete equipment pad) and must be specified in the proposal to ensure a final system will operate properly, safely, and effectively as a ventilation unit for the welding program.
- Electrical work required beyond what is already in place will need to be specified in the proposal.

- Ductwork – must furnish and install ductwork and ductwork accessories to Camfil system. Note: ductwork will go into an open ceiling. In addition, it is preferred that the ducts are clamped together for future flexibility.
- Must be able to move the Camfil system to its final location. (Hoisting, rigging, etc.)
- Must furnish, install and connect a minimum of five (5) large fume hoods to the system.
- Must work with roofing company for roof penetrations.
- Must provide installation warranty details.
- Must provide timeline for completion of entire project.

See included floor plans for approximate dimensions. Please note: plan is intended for explanatory purposes and is not intended to be dimensionally accurate. Please schedule a site visit to gather accurate measurements prior to fabrication.

SITE VISITATION:

No site visits are mandatory, but are encouraged to address questions. Visits will be scheduled as needed. Please contact Tracy Geisler, Executive Assistant to the President, 785-320-4563 or tracygeisler@manhattantech.edu.

ADDITIONAL INFORMATION:

The College reserves the right to make a written request for additional information from a Contractor/Vendor to assist in understanding or clarifying a Bid Proposal. Responses are to be provided in writing.

Required Material Safety Data Sheets (MSDS) for material brought on site by the successful bidder must be available on site at all times.

If applicable, the Contractor is responsible for calling Kansas One-Call (811), the underground utility notification center for the State of Kansas.

In submitting this bid, it is understood that the College reserves the right to reject any or all bids, to award to other than the low bidder, to waive irregularities and/or informalities, and, in general, to make the award in any manner deemed by the College, in its sole discretion, to be in the best interest of the College.

The Contractor will be provided a Project Sales Exempt Certificate, as the College's status as a nonprofit educational institution allows for an exemption from sales and use tax.

COMPLIANCE BY CONTRACTOR WITH LAWS AND REGULATIONS

The Contractor agrees to abide by the requirements of the following as applicable: Title IV of the Civil Rights Act of 1964 and Title IVV of the Civil Rights Act of 1964, as amended by the Equal Employment Opportunity Act of 1972. Federal Executive Order 11246 as amended, the Rehabilitation Act of 1973, as amended, the Vietnam Era Veteran's Readjustment Assistance Act of 1974, Title IX of the Education Amendments of 1972, the Age Discrimination Act of 1975 and Americans with Disabilities Act of 1990.

Contractor also agrees not to discriminate, in its employment practices, and will render services under the contract without regard to race, color, religion, sex, sexual orientation, national origin, veteran status, political affiliation, and/or disability. Any act of discrimination committed by the contract, or failure to comply with these statutory obligations, when applicable, shall be grounds for termination of the contract.

INSURANCE

The Contractor awarded the contract will furnish MATC a Certificate of Liability with comprehensive general liability insurance against all claims of bodily injury, death or property damage, in amounts of not less than \$250,000 per claim and \$1,000,000 per

incident. This is done at the Contractor's sole expense, and shall require any subcontractor or assignee to obtain and maintain insurance.

The Contractor must provide proof of workers' compensation insurance coverage for all of its employees on this site. Any exemptions to coverage must be outlined in the Certificate of Liability Insurance.

Bids are due on September 20, 2018 by 5:00pm. Bids must be submitted in sealed envelopes. Four (4) identical proposals must be submitted and labeled as follows:

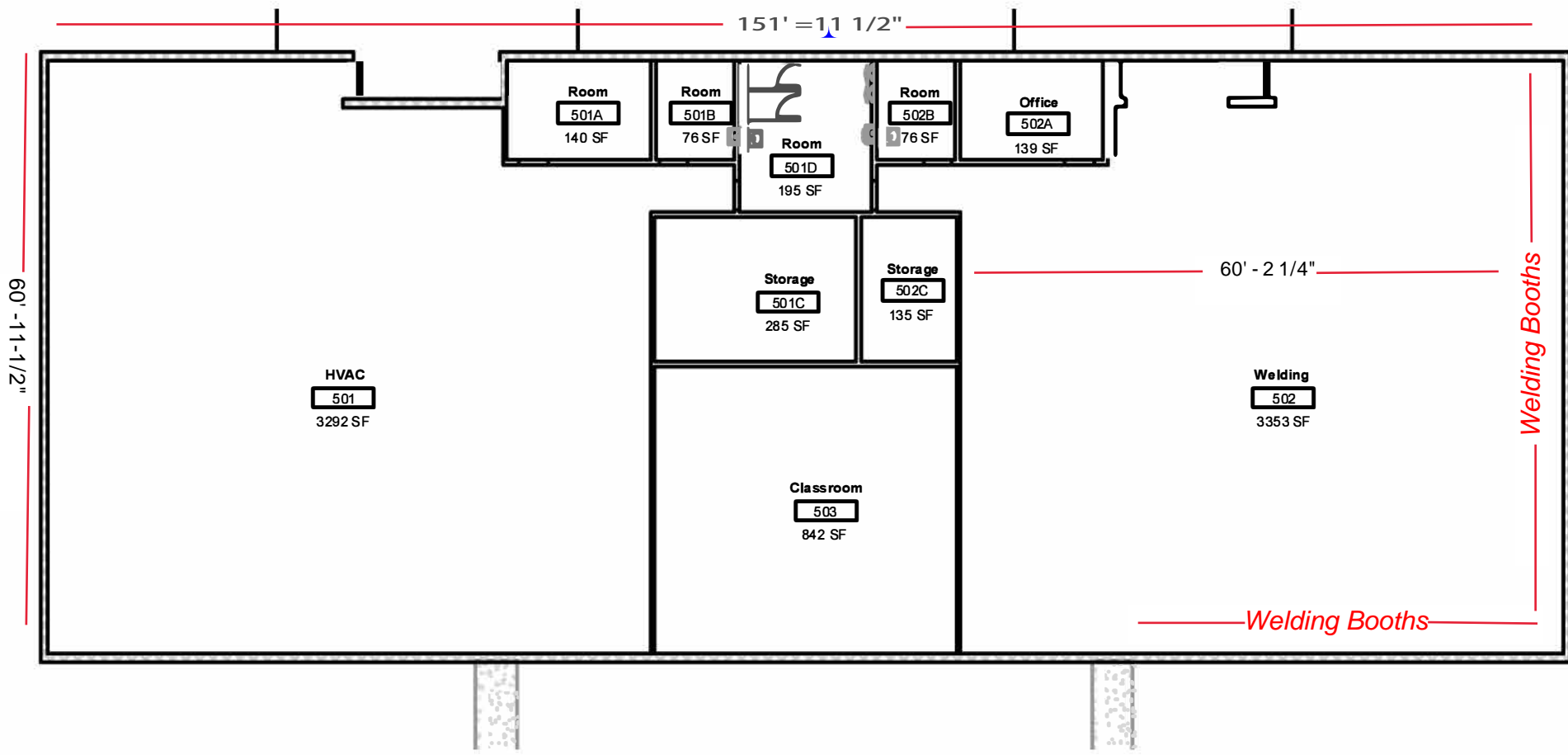
Manhattan Area Technical College

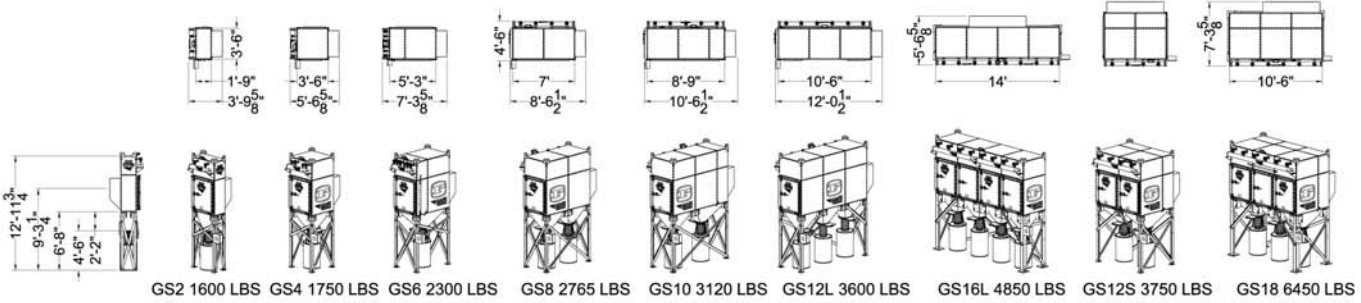
DO NOT OPEN

Attn: Tracy Geisler, Executive Assistant to the President

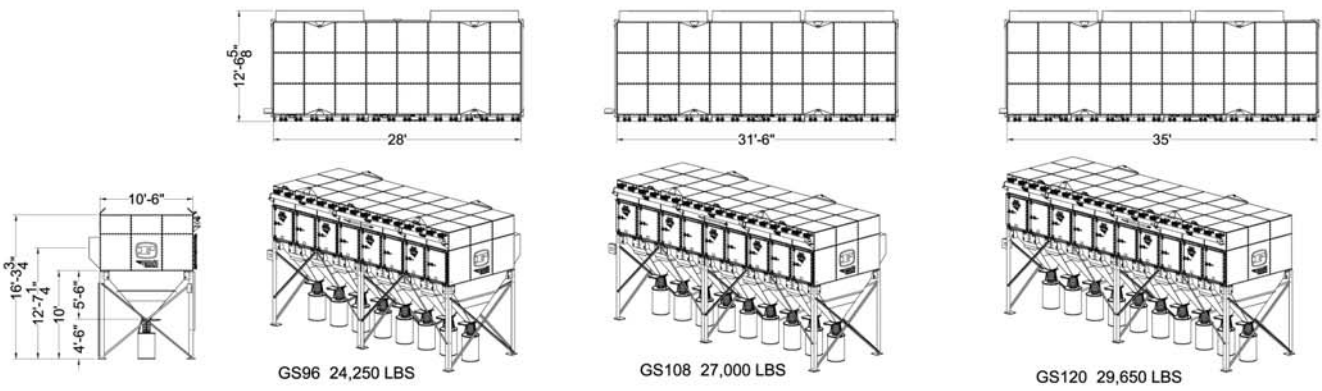
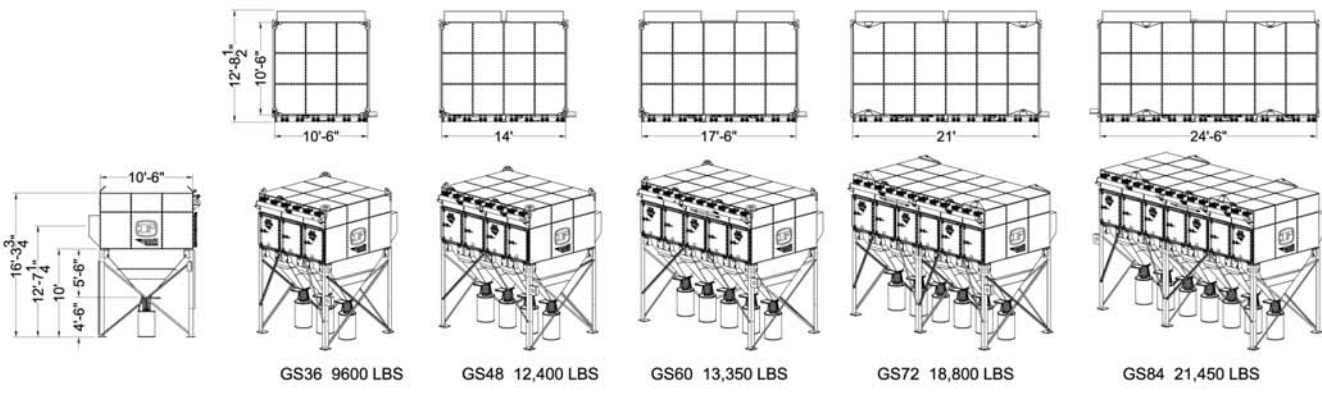
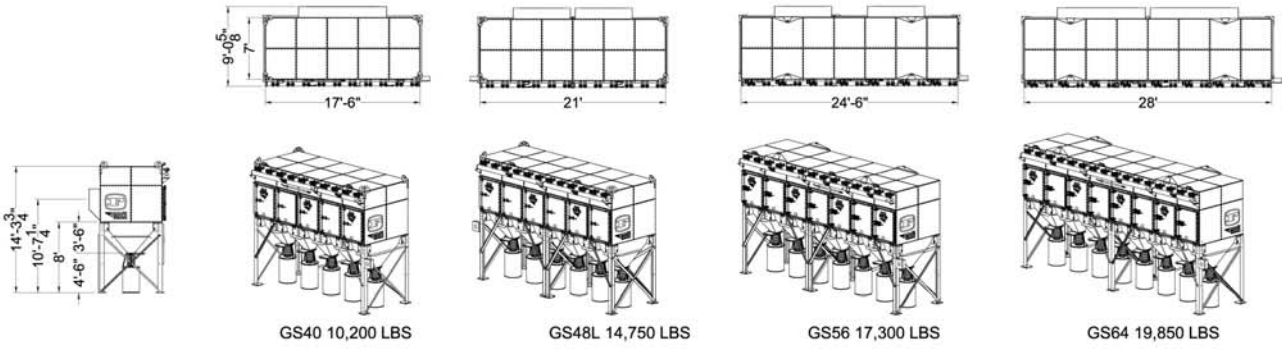
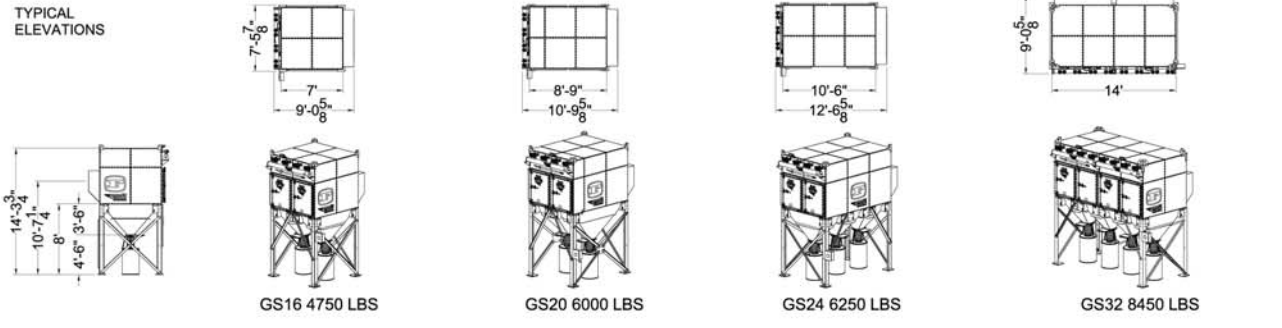
3136 Dickens Ave

Manhattan, KS 66503





TYPICAL ELEVATIONS



Farr Gold Series® Models

Model # Code
 GS 24 — # of cartridges
 — Gold Series

Prepared for:

Manhattan Area Tech
3136 Dickens Ave
Manhattan, KS 66503
785-320-4530

Submitted by:

Dave Henry
Camfil Farr APC
3505 Airport rd
Jonesboro, Ark 72401
800-479-6801
dave.henry@camfil.com

QUOTATION

DH-20170413: (1) GS18



FARR GOLD SERIES® Dust Collector

- Looks like a safe because it's built like a safe!
- The Gold Series utilizes Gold Cone cartridge technology to deliver clean air and long life while utilizing the smallest floor space of any dust collector available today.
- Enhanced performance features with ease of installation and service make the Gold Series the ultimate choice for cleaning the work environment of irritating dust and fumes.

Gold Cone® Filters

- Gold Cone filters have an expanded capacity due to the patented inner cone of filtration media.
- The inner cone provides uniform dispersion of back-pulsed air and opens up more useable space for airflow in the dust collector.
- Multiple filter media options and pleat spacing are available to best suit your specific application and dust.
- All Camfil APC filter media offerings deliver a minimum of 99.99% separation efficiency down to 0.5 micron by weight.

Housing

- Gold Series module is constructed of 7 gauge steel.
- Door, hopper, inlet and panels are all of 10 gauge steel.
- Most other dust collectors on the market are only 12 gauge or thinner.
- Hoppers have standard 10" discharges, unless otherwise specified herein.

High Entry Inlet

- Camfil APC's high cross flow inlet eliminates upward can velocities associated with traditional hopper inlets.
- Channel baffles installed in the inlet protect the filters from incoming dust and separates the larger dust particles directly into the hopper, reducing the load on the filters.

Powder Paint Finish

- Baked on, durable Dupont® powder coat (Triglycidyl Isocyanurate polyester) paint. All carbon steel components are 5-stage acid washed prior to powder coating for maximum adhesion of the paint. Unless otherwise specified, internal frames will be black.
- Painted inside and outside for weather/corrosion resistance, unless otherwise specified.

Automatic Filter Cleaning

- Filters are automatically back-flush cleaned with periodic pulses of compressed air.
- Vertical design of the Camfil APC cartridges provides more efficient pulsing of dust, thus eliminating uneven dust loading associated with horizontally mounted cartridges.
- Powerful cleaning system delivers 100% more cleaning energy than horizontal filter designs and includes: 6" compressed air header, nozzled purge pipes, diaphragms, and solenoid valves in NEMA 4 enclosure. Diaphragms are factory plumbed to the solenoids.

Filter Access

- Quick-open access door(s) to super-fast cartridge change-out system that does not require entry into the collector.
- Cam-operated clamp bars provide easy filter clamping and sealing.
- Most competitive units use a laborious threaded handle system for door removal, in which knobs can be lost and threads can bind.

Support Leg Structure

- 54" clearance under the hopper discharge flange.
- Designed for seismic zone 3 and 100 mph wind load.



Gold Series Model: GS18	A/C Ratio: 4.27:1
Quantity: 1	Media Area: 5850 ft ²
Reference:	Application/Process: Source Capture Welding
Paint Color: Farr Green	Dust Type: Welding Fumes
Estimated Height: 216 inches	Kst Value: Not provided by customer
Rating: 25000 CFM @ 9.0 Inches SP	Operating Temperature: Not provided by customer
Cartridges: 18	



**Farr FS 60Hz Fan - Standard Construction
- FS16 - 60hp 33PLR-26.0-60-9**

Incl. Above

- External Discharge Mount Fan
- 460V, 3PH, 60Hz, C-Face, TEFC, Premium efficient motor.
- Baldor Super-E Premium efficient motor, VFD compatible, and saves energy.
- Backward inclined non overloading wheel. (except for FS1 and FS2 fans)
- Manually operated integral outlet damper.
- Note: Fan motors will typically see four to ten times the Full Load Amps during start-up. Circuits and fuses must be adjusted accordingly.

Integrated Timer Controller with Soft Start Option

Incl. Above

- Type 4/12 Enclosure to contain the following components:
- Camfil Farr APC Dust Controller Pulse Timed Cleaning System with Digital Differential Pressure Meter
- Main Fusible Disconnect With J-Style Current Limiting Fuses
- Blower Soft Start Controller with Short Circuit, Overload, & Phase Protection
- Industrial Control Transformer
- Cleaning Mode Selector (Demand/Off/Continuous)
- Blower Mode Selector (Remote/Off/Manual)
- Blower Running Pilot Light
- Remote Start Connection for Remote Control of Blower
- 100' Differential Pressure Tubing Kit with Fittings
- The Camfil Farr APC Integrated Timer controller with Soft Start provides the ability to control the blower load during startup. It has all the necessary functions for a controlled start of the Camfil Farr APC Dust Collector without the high current loads typically associated with blowers during startup. The Soft Start Option also has built in features for additional motor protection such as Phase Loss/Reversal protection and Over Temperature Protection. It provides a single power connection point for the consumer as well as a convenient connection point and control of the pulse cleaning system for a total turnkey package of Dust Collection Controls. Available in all horse powers with voltages ranging from 208 thru 575 VAC it is a versatile and complete dust collector control solution.
- UL certified and labeled
- Solenoid heater termination and transformer upsize. (1)



HemiPleat® Cartridges - eXtreme Green

(18)

Incl. Above

- This revolutionary pleat allows 100% of the filter media to remain open for dust capture and improved airflow.
- Open pleats allow for optimal pulse cleaning.
- Utilizes eXtreme media.
- Green Polytech base media has Oleophobic moisture resistant properties and excellent strength characteristics for heavy duty use.
- Nano fiber surface filtration layer delivers excellent filtration efficiencies exceeding 99.99% at 0.5 micron by weight.
- Cartridge Model No. FLTR-GS-XG-325.

Sprinkler System (Standard Clean Air System)

Incl. Above

- Factory installed internal sprinkler system includes all internal piping, terminating to an external coupling. Piping and connections to an external water supply by others.
- Per NFPA 13, the water pressure should be able to provide the design flow of 0.2 gmp/ ft² of horizontal area. A minimum recommended operating pressure of 10 psi will achieve the required flow. Make sure the water supply can handle the flow of 25 gpm per head at 10 psi.
- Check to see if local fire codes require higher pressures.

Solenoid Heaters

Incl. Above

- Thermostatically controlled, 120V heater(s) installed inside the solenoid enclosure(s) to prevent solenoids from staying in the closed position in freezing temperatures.



Staggered Channel Inlet Baffle

Incl. Above

- Channel baffles installed inside the inlet protect the filters from incoming dust and separates the larger dust particles, which fall directly into the hopper, reducing the load on the filters.



Compressed Air Regulator with Gauge

Incl. Above

- 1" NPT Filter/Regulator combination with oil filled pressure gauge and shut off valve. Owner should set pressure regulator to 90 PSI for optimum filter cleaning.

55-Gallon Drum(s), 35" H

(3)

Incl. Above

- 55-gallon drum(s) provided. Cover(s) not included.



10" Drum Cover Kit(s)

(3)

Incl. Above

- Drum cover, flex-hose, clamps, slide gate with integral transition (no drum). 10" diameter with positive pressure latch system.

GS18 Total Price FOB Shipping Point (Freight Not Included):

The customer assumes the responsibility for contacting their insurance underwriter and advising Camfil APC in regard to specific application requirements of explosion venting or if additional fire protection and safety equipment may be required. The buyer is also cautioned to adhere to prescribed OSHA, NFPA, Federal, State and Local codes and regulations applicable to industrial ventilation systems, which Camfil APC equipment may be applied on. Sales tax not included.

Terms:

(a) Price quoted is for cash, check, money order, or bank transfer only. Credit card purchases require a 3% pricing adjustment that includes credit card fees.

(b) Terms are Net Cash prior to shipment except where satisfactory open account credit is established, in which case terms are Net Thirty (30) days from date of invoice. Any order exceeding US\$100,000 requires a 25% down payment. Seller reserves the right, in seller's sole discretion, to revoke any credit extended. Invoices will be issued upon shipment. Buyer agrees to pay the lessor on one and one-half percent (1 1/2%) per month or the maximum rate legally permitted assessed against the unpaid balance from date of invoice until date of repayment.

(c) Buyer grants Seller a purchase money security interest in the products sold to Buyer, and all proceeds thereof, as security for Buyers obligations. Buyer shall execute and cause to be filed all instruments or documents necessary to perfect any such interest, including a financing statement on Form UCC-1.

About Camfil APC

- Camfil Air Pollution Control (APC) is one of the top dust collector manufacturers worldwide. Their goals are to make factories safer and more productive and to ship collectors fast while still giving you, the customer, what you want. They're focused on being the most customer friendly company in the air pollution control business and are dedicated to making the best dust collector in the business from an end user operation and maintenance viewpoint.
- Video link: [Take a tour of the Camfil APC factory](#)

If Camfil APC is favored with an order, please address purchase order to: Camfil APC C/O (Camfil representative)